



## 1. SK-R800NS 80GHz Sanitary Radar Level Transmitter (Aluminum Housing)

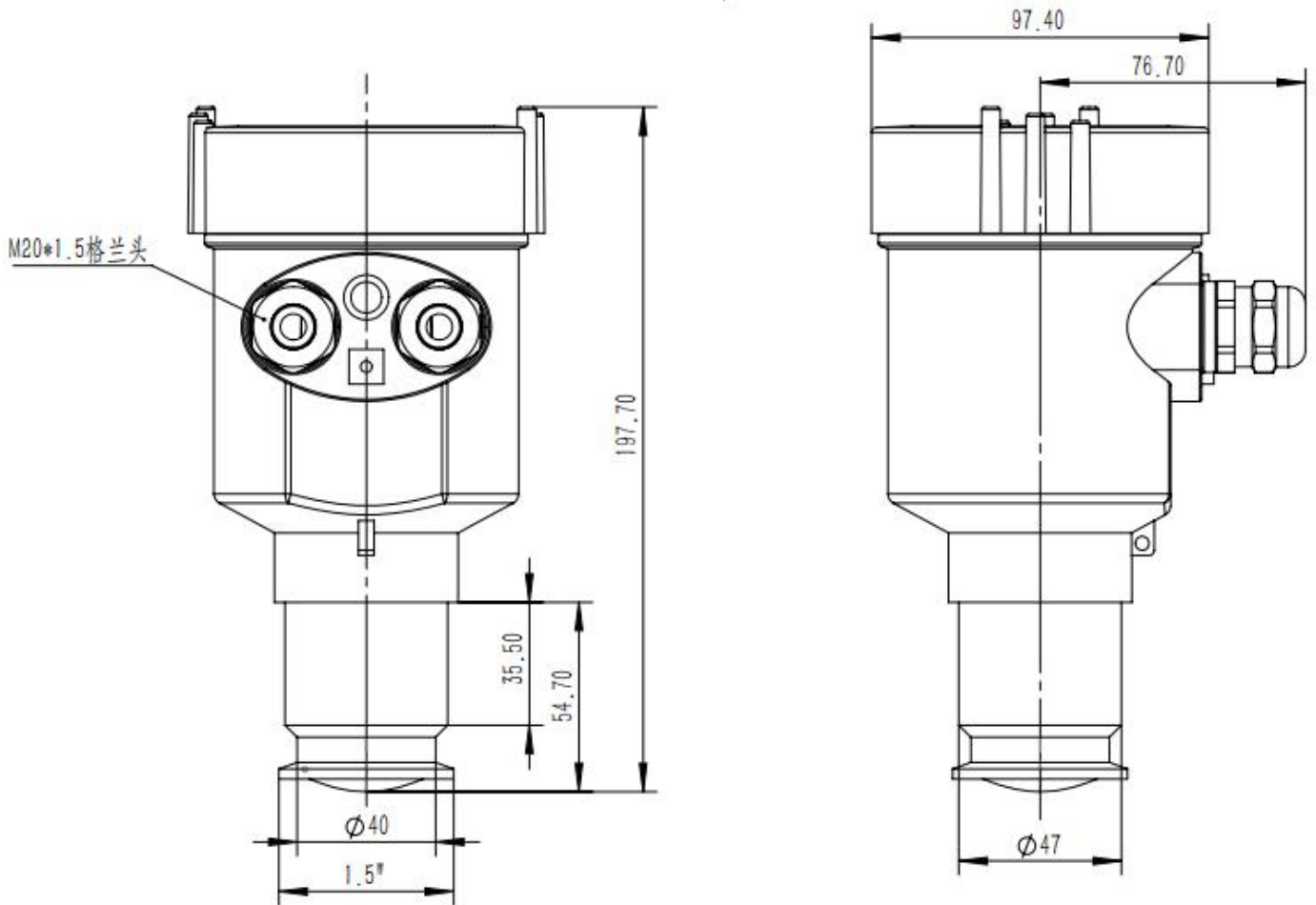
The SK-R800NS Sanitary model is an 80GHz FMCW radar transmitter for continuous level measurement of various solids & liquids like milk storage tanks, water storage for sterilization (CIP), mobile milk tankers, soft drinks, juices, beer, hot/cold drink dispensers, edible oil tanks, powder containers etc.

- \* High frequency: 80GHz, signal is more focused and concentrated.
- \* Accuracy:  $\pm 2$  mm
- \* PTFE sealed antenna, will not affected by temperature, condensate water etc.
- \* Beam angle:  $\pm 2.9^\circ$  (G2").
- \* G1.5" thread connection, customized thread/flange available.





## Sizes:





## Specification:

<b>Model</b>	SK-R800NS Sanitary Level Sensor
<b>Product Type</b>	FMCW Radar Level Transmitter
<b>Application</b>	* Dairy Processing * Beverage Production * Food Processing * Pharmaceuticals(related)
<b>Frequency</b>	77GHz-81GHz
<b>Measurement Range</b>	10M 20M 30M 50M
<b>Accuracy</b>	±2mm
<b>Beam Angle</b>	±2.9° (G2")
<b>Antenna Material</b>	SS 304/Sealed PTFE
<b>Process Connection</b>	G1.5" Thread; Thread and flange customization can be fulfilled
<b>Process Temperature</b>	-30°C to 80°C
<b>Environmental pressure</b>	Normal atmospheric pressure
<b>Signal output</b>	4-20mA/RS485(Mod-bus - RTU)/ HART(optional)/ Bluetooth (optional)
<b>Display</b>	Sensor display screen, Bluetooth (optional)
<b>Power</b>	Two-wire DC 24V (18V~36V)
<b>Explosion-proof</b>	Exd II CT6Gb
<b>Sizes:</b>	97mm x 201mm Net weight: 2kgs.
<b>Protection</b>	IP67



陕西声科电子科技有限公司

SHAANXI SHENGKE ELECTRONIC TECHNOLOGY CO.,LTD

TEL: +86 15117154248

FAX: 029-88858601

E-mail:sales02@skgauge.com

http://www.skgauge.com

## SK-R800NS Model Selection

### SK-R800 80GHz Radar Level Transmitter (Aluminum housing, with display)

Code	Medium Type							
N/S	Liquid/Solids							
Code	Measuring Range(m)							
0.2~60	10 20 30 50							
Code	Connection							
G	G" Thread (1.5")							
F	Flange							
Code	Temperature							
N	-30...80°C							
Code	Cable entry							
M/N	M20×1.5(F) / 1/2NPT							
Code	Electronics							
T	Two-wire 4...20mA							
M	Mod-bus							
H	HART (Optional)							
B	Bluetooth(Optional)							
Code	Protection							
P	IP67							
Code	Explosion-proof							
E	Ex db ia IIC T6 Gb							
SK-R800	S	10	G	N	M	TMHB	P	E